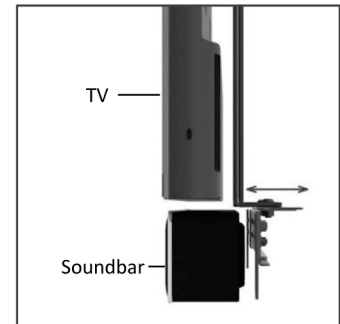
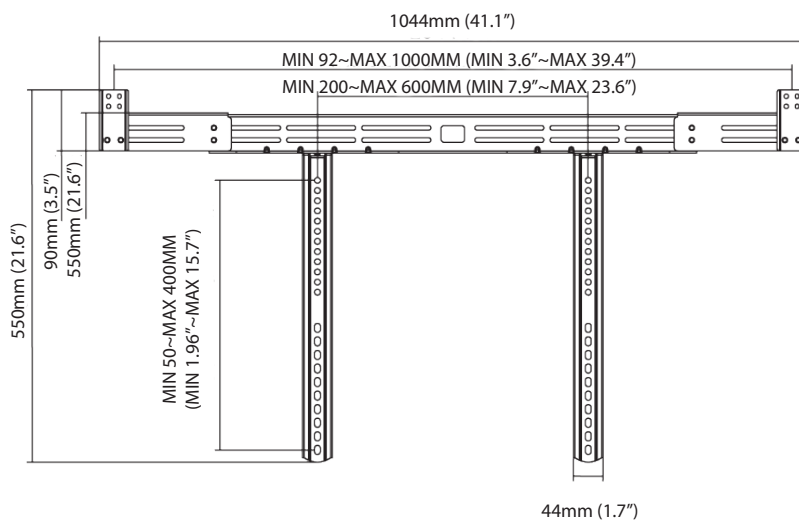


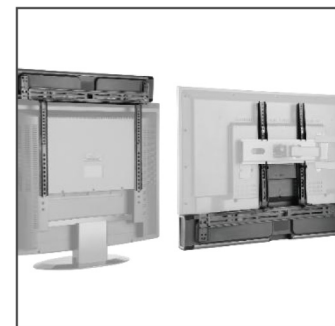
- Easy installation, no tools required
- Installs on articulating brackets or on its own
- Adjustable depth allows flush mount to the TV
- Above or Below the TV installation
- Fits most sound bar brackets



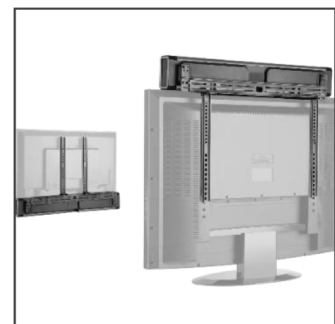
SWBR2



Adjustable Depth
Allows flush mount to the TV



Two Way Installation
On its own or with a bracket



Flexible Installation
Install above or below the TV



22lbs/10kg