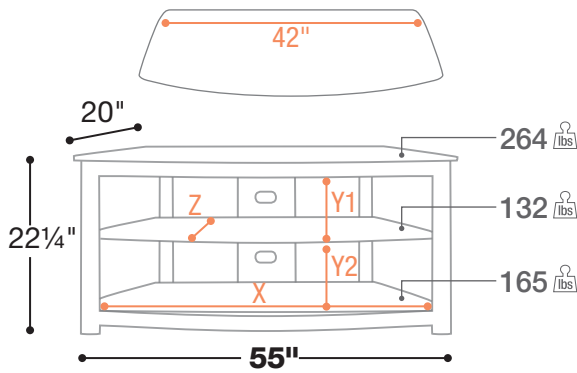


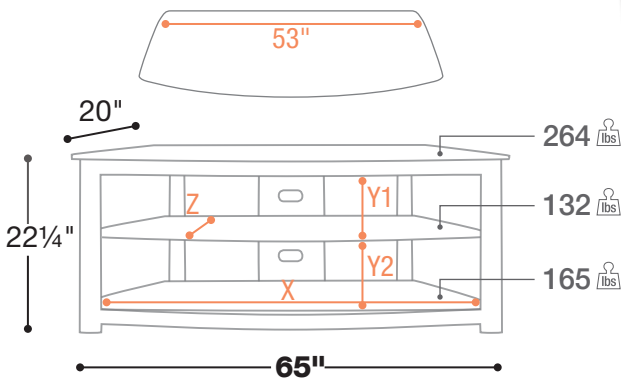
- Along Wall or Corner Placement Option
- Elegantly Contoured and Beveled Glass
- Adjustable Middle Shelf by three 2½" Increments
- Stylish Oval Frame Posts with Adjustable Leveling Feet
- Wire Management



- X = 47" Usable Shelf Width
- Y1 = 7" Usable Shelf Height
- Y2 = 7¼" Usable Shelf Height
- Z = 18" Usable Shelf Depth
- 10mm Top Shelf Thickness
- 8mm Lower Shelf Thickness



190M55-D-N 55"



- X = 57" Usable Shelf Width
- Y1 = 7" Usable Shelf Height
- Y2 = 7¼" Usable Shelf Height
- Z = 18" Usable Shelf Depth
- 10mm Top Shelf Thickness
- 8mm Lower Shelf Thickness



190M65-D-N 65"

Frame

**N**  
Glossy Black

Shelf

**D**  
Dark Glass

Optional

**173PE-N**

See page 16

Corner Placement  
TOP VIEW