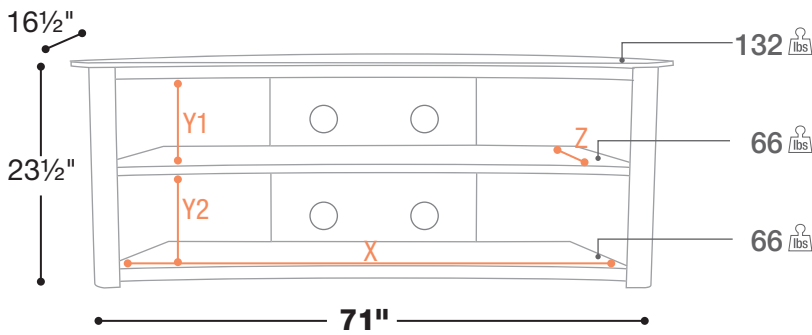
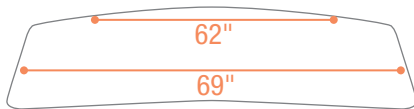




S45V71N 71"

- Curved Front to Match Curved TVs
- Silver Trim Accent
- Three Tempered Black Glass Shelves
- Wire Management



- X = 62 1/2" Usable Shelf Width
- Y1 = 8" Usable Shelf Height
- Y2 = 9 1/2" Usable Shelf Height
- Z = 14 3/4" Usable Shelf Depth

Frame	Shelf	
N	D	
Black	Dark Glass	Curved Front TOP VIEW