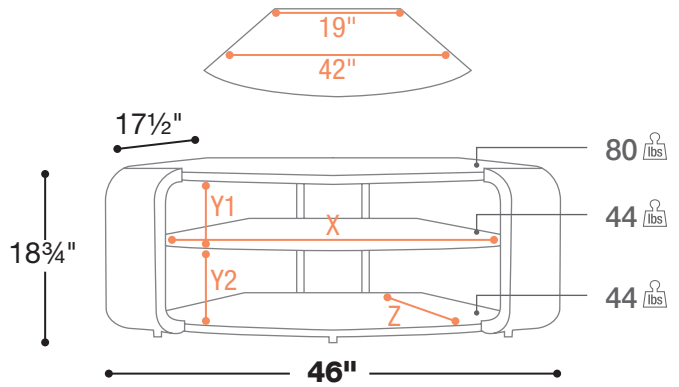




S67P46N 46"

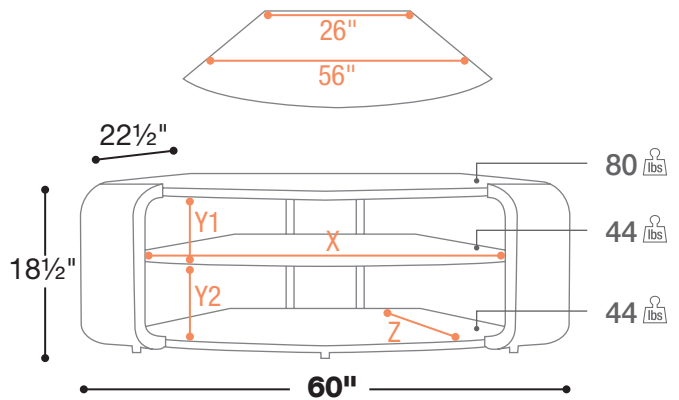
- Along Wall or Corner Placement Option
- High Gloss Lacquer Finish
- Three Black Shelves with Metal Supports
- Adjustable Feet
- Wire Management



- X = 33 3/4" Usable Shelf Width
- Y1 = 8" Usable Shelf Height
- Y2 = 6 1/2" Usable Shelf Height
- Z = 16 1/2" Usable Shelf Depth



S67P60N 60"



- X = 44" Usable Shelf Width
- Y1 = 7" Usable Shelf Height
- Y2 = 7 1/2" Usable Shelf Height
- Z = 20" Usable Shelf Depth

Frame

**N**

Black

Shelf

**D**

Dark Glass

Optional

**173PE-N**

See page 16

Corner Placement  
TOP VIEW