

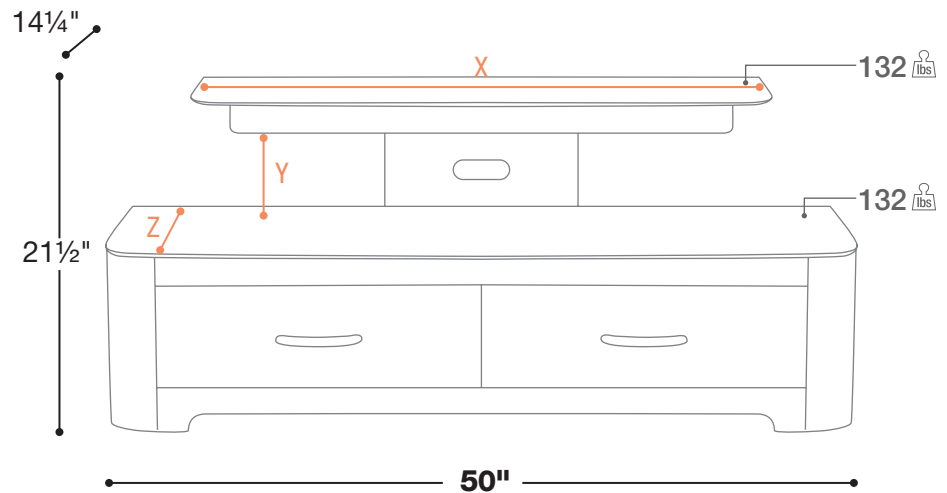


S69P50B 50"

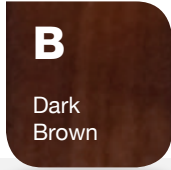
- Pedestal TV Shelf
- Elegant Rounded Corners
- Soft Return Drawers
- Wire Management



S69P50N 50"



Frames



Shelf



- X = 39 1/4" Usable Shelf Width
- Y = 7" Usable Shelf Height
- Z = 16 1/2" Usable Shelf Depth

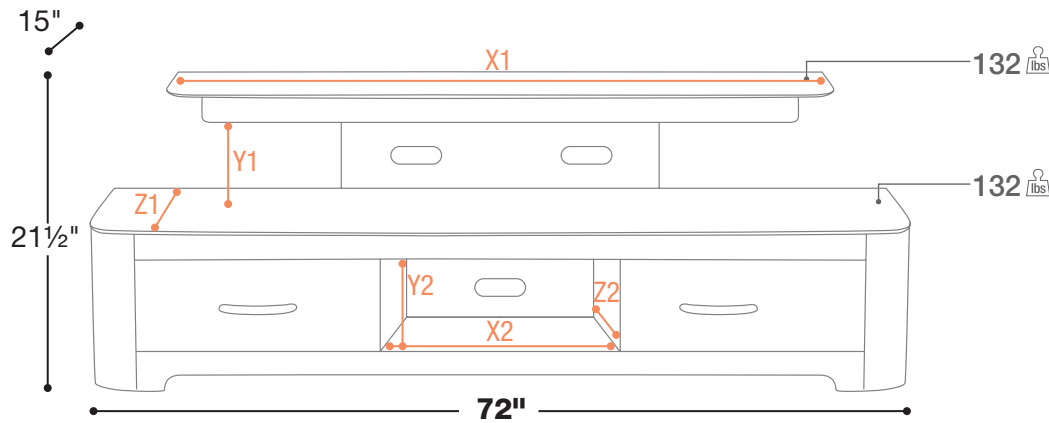


S69P72B 72"



S69P72N 72"

- Pedestal TV Shelf
- Elegant Rounded Corners
- Soft Return Drawers
- Lower Equipment Open Compartment
- Wire Management



- X1 = 61" Usable Shelf Width
- Y1 = 7" Usable Shelf Height
- Z1 = 16 1/2" Usable Shelf Depth
- X2 = 21" Usable Shelf Width
- Y2 = 6 3/4" Usable Shelf Height
- Z2 = 16" Usable Shelf Depth

Frames		Shelf
<b>B</b> Dark Brown	<b>N</b> Black	<b>D</b> Dark Glass