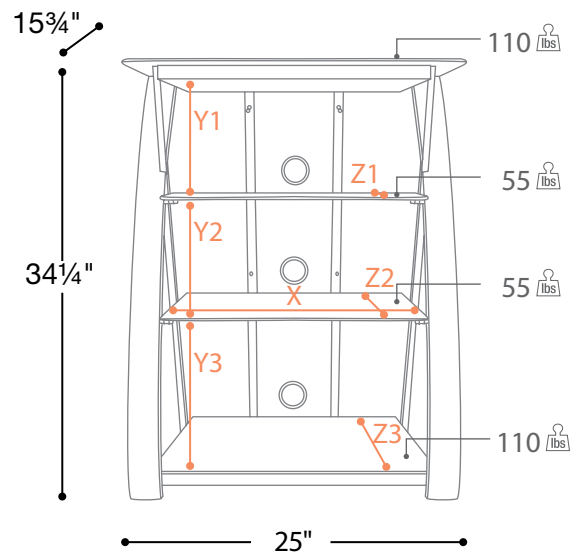




S85A4B 25"

- Modern Curved Wood Design
- Four Tempered Dark Glass Shelves
- Deeper Bottom Shelf for Bigger Components
- Wire Management



Frames

B

Dark Brown

Shelf

D

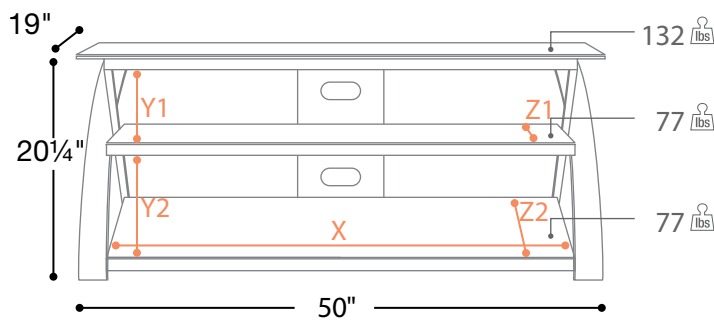
Dark Glass

- X = 19 3/4" Usable Shelf Width
- Y1 = 9" Usable Shelf Height
- Z1 = 15 1/4" Usable Shelf Depth
- Y2 = 9" Usable Shelf Height
- Z2 = 16 3/4" Usable Shelf Depth
- Y3 = 11 1/2" Usable Shelf Height
- Z3 = 18 1/4" Usable Shelf Depth

- Modern Curved Wood Design
- Deeper Bottom Shelf for Bigger Components
- Three Tempered Dark Glass Shelves with Metal Support
- Wire Management



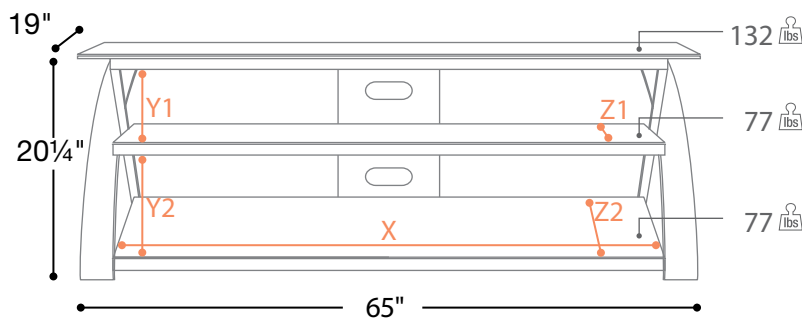
S85V50B 50"



- X = 44" Usable Shelf Width
- Y1 = 6" Usable Shelf Height
- Z1 = 15 1/4" Usable Shelf Depth
- Y2 = 8 1/2" Usable Shelf Height
- Z2 = 19" Usable Shelf Depth



S85V65B 65"



- X = 59" Usable Shelf Width
- Y1 = 6" Usable Shelf Height
- Z1 = 15 1/4" Usable Shelf Depth
- Y2 = 8 1/2" Usable Shelf Height
- Z2 = 19" Usable Shelf Depth

Frames

B

Dark Brown

Shelf

D

Dark Glass